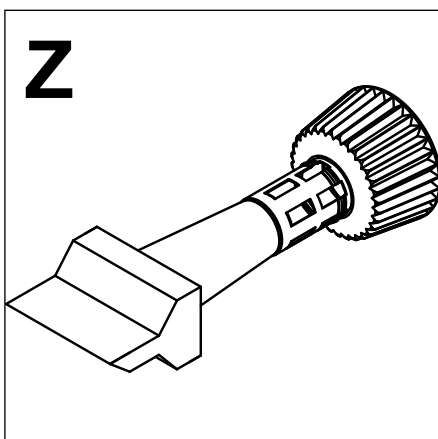
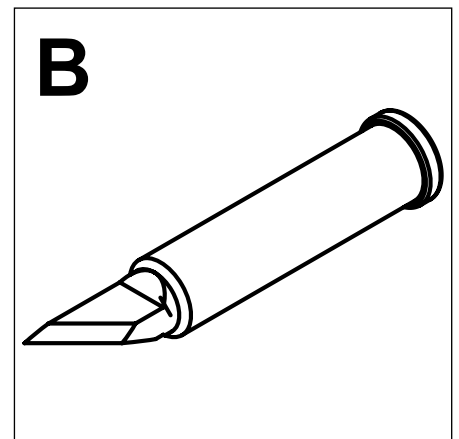
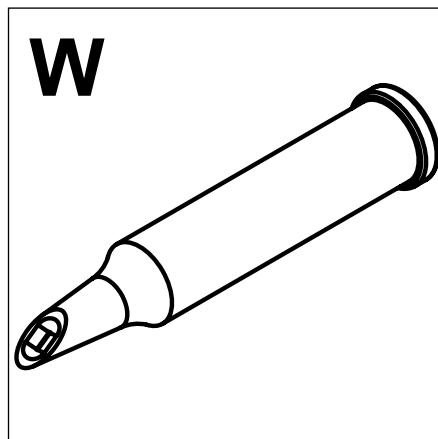
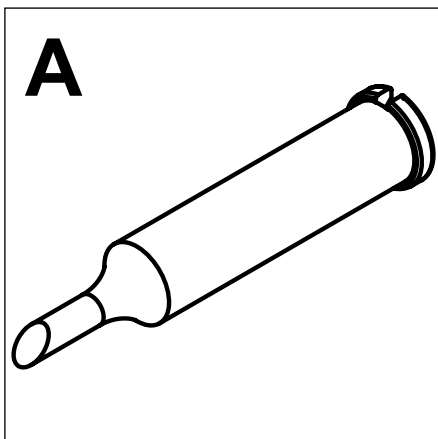
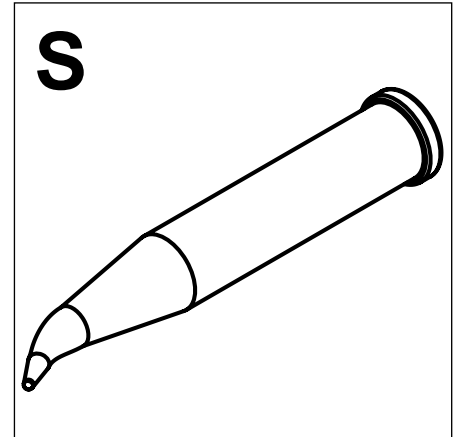
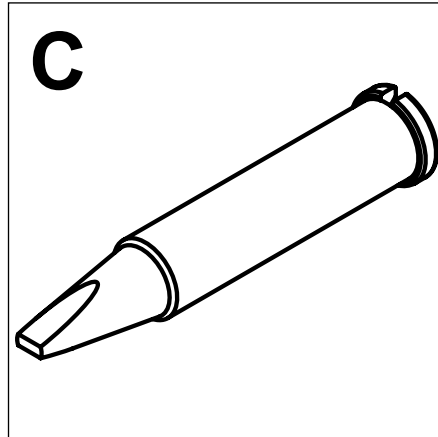
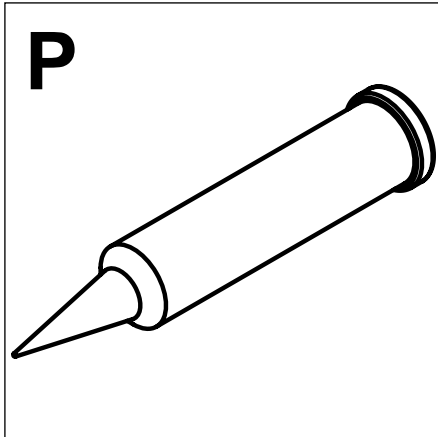


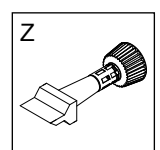
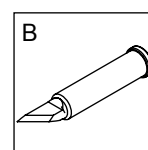
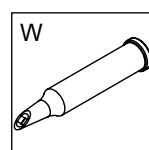
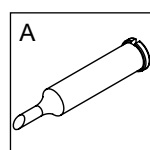
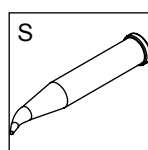
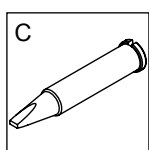
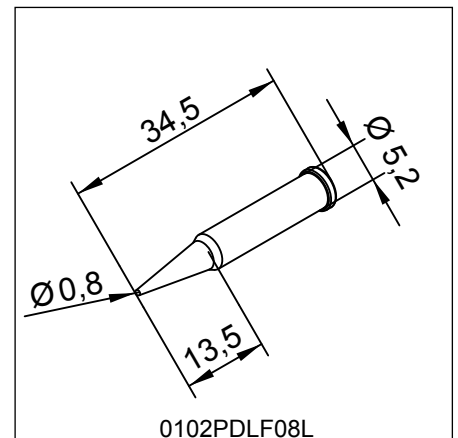
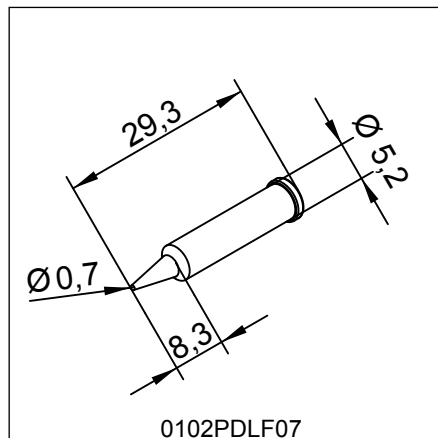
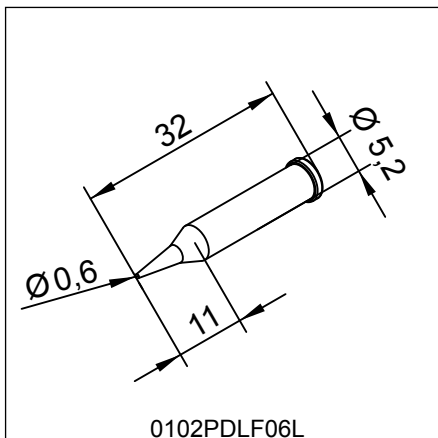
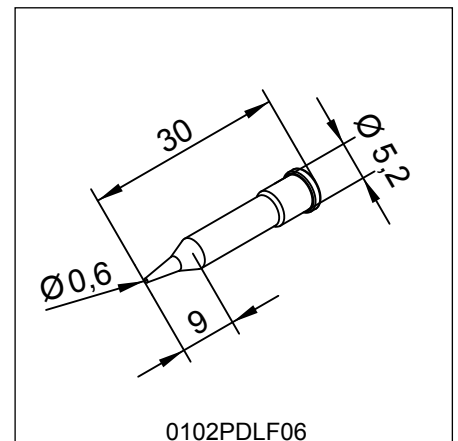
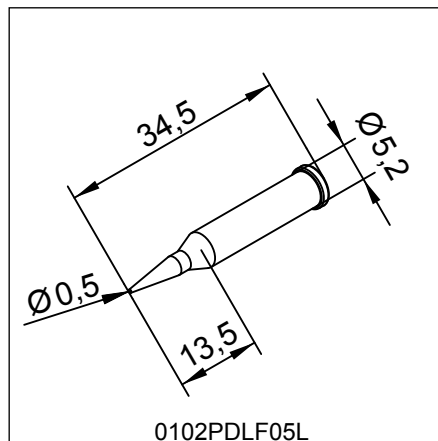
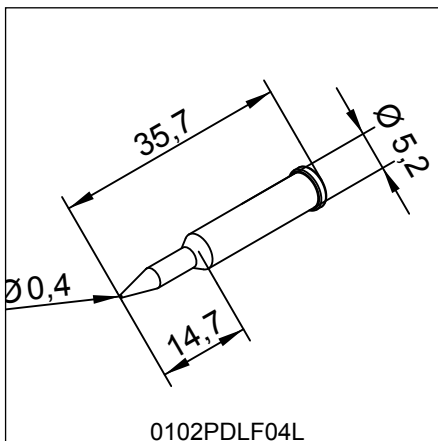
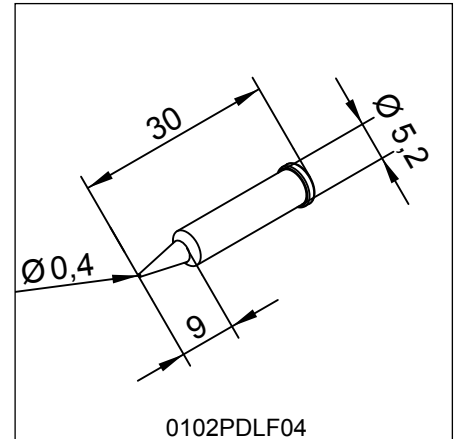
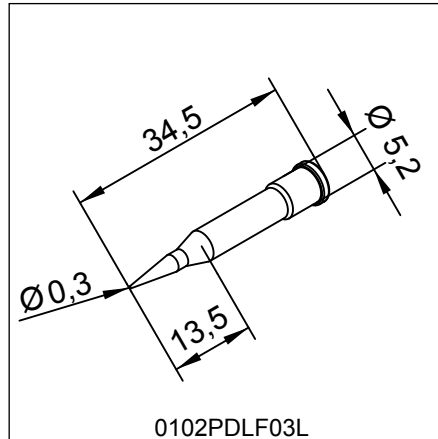
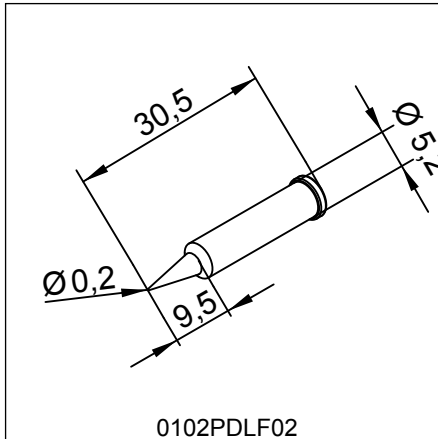
# i-Tips

## Standard



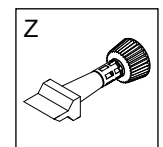
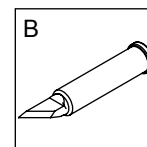
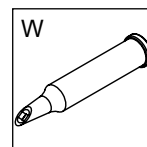
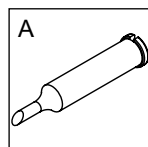
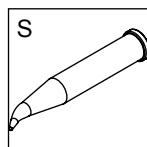
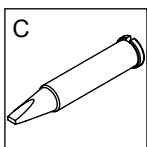
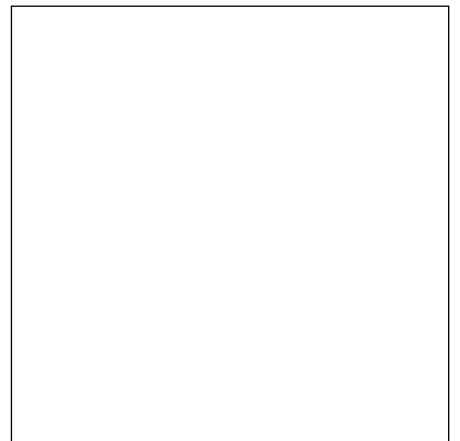
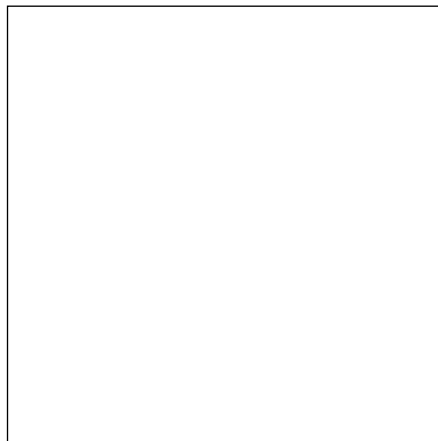
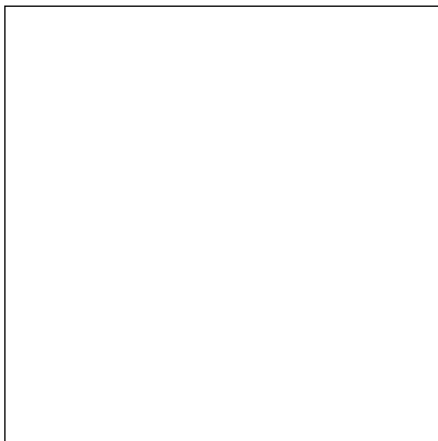
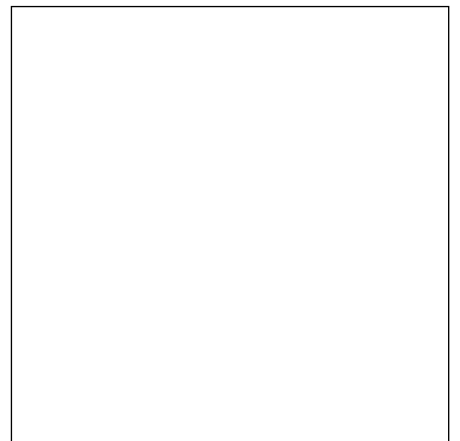
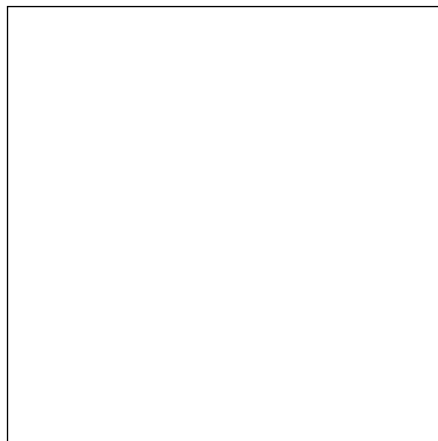
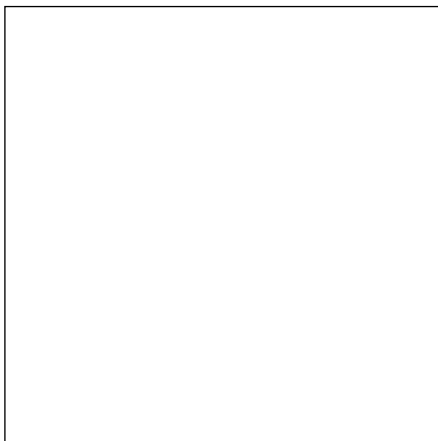
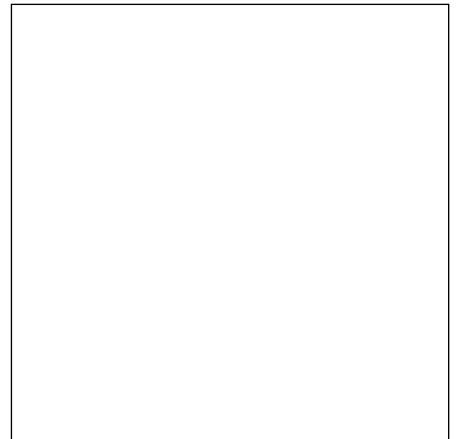
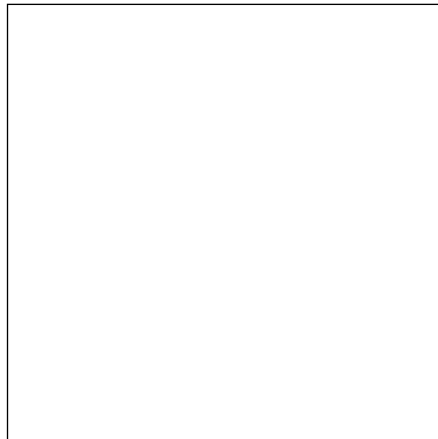
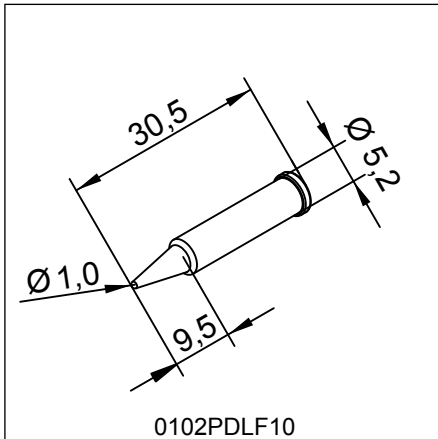
# i-Tips P

## Standard



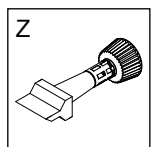
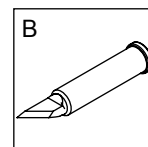
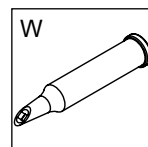
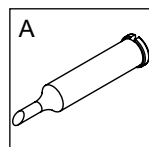
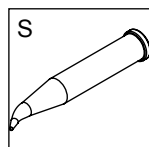
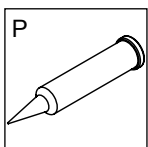
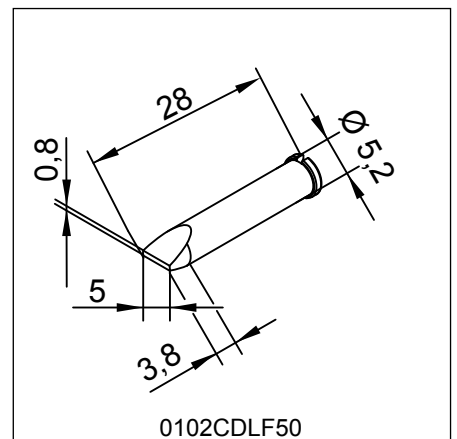
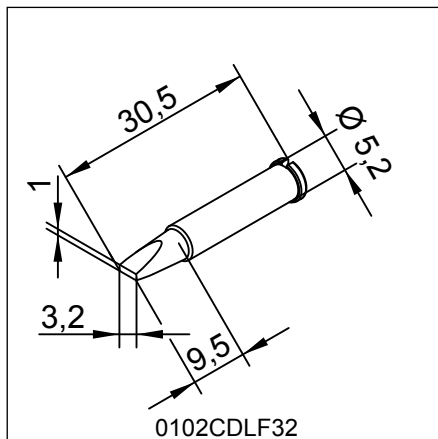
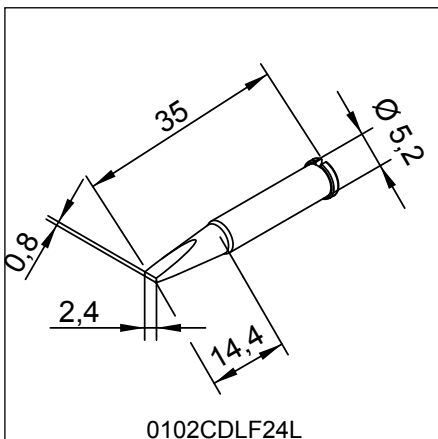
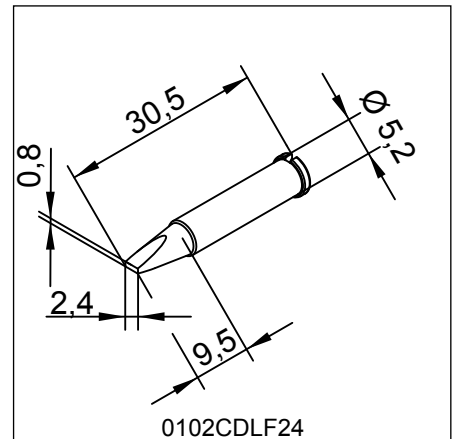
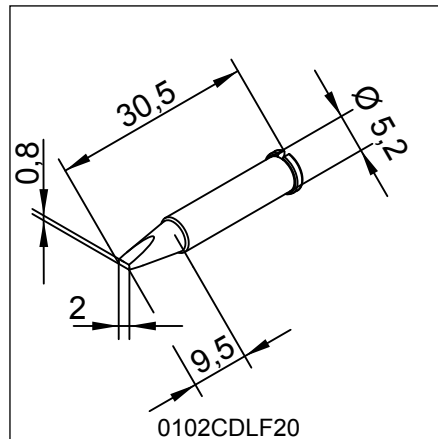
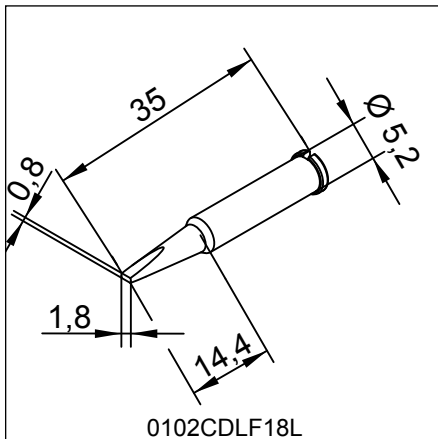
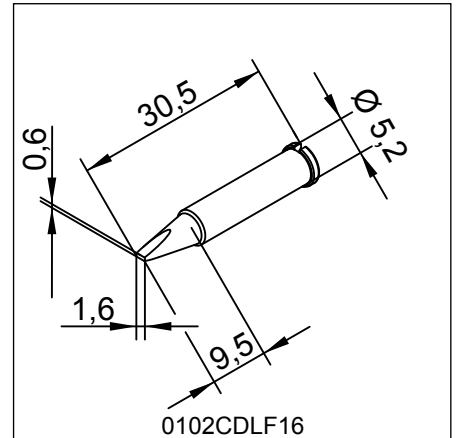
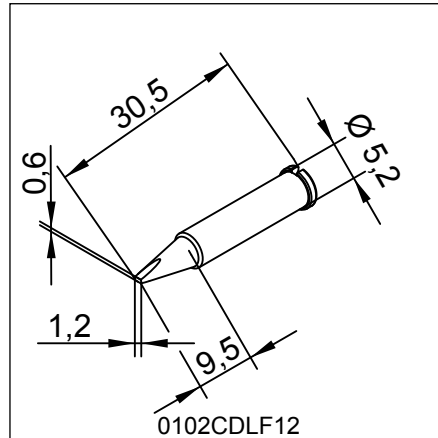
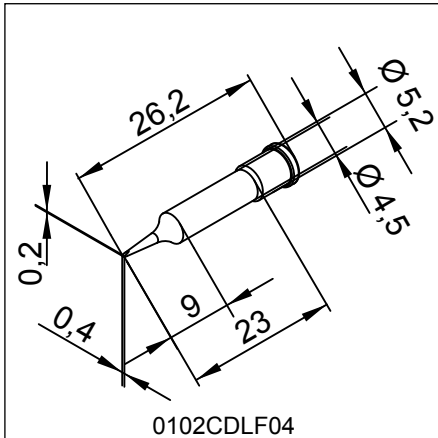
# i-Tips P

## Standard



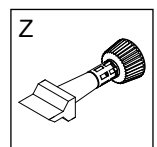
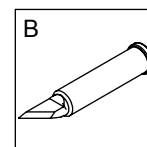
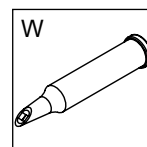
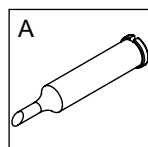
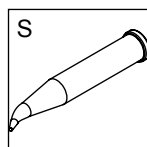
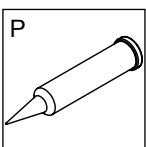
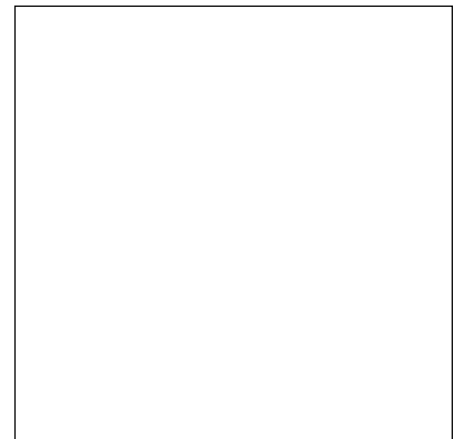
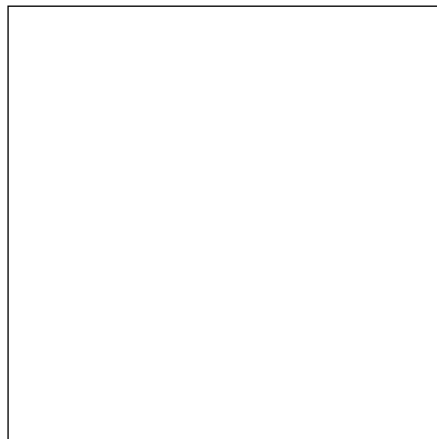
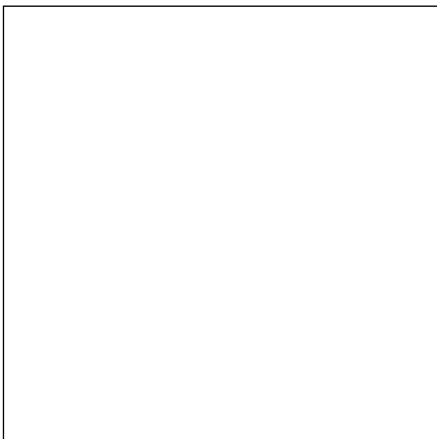
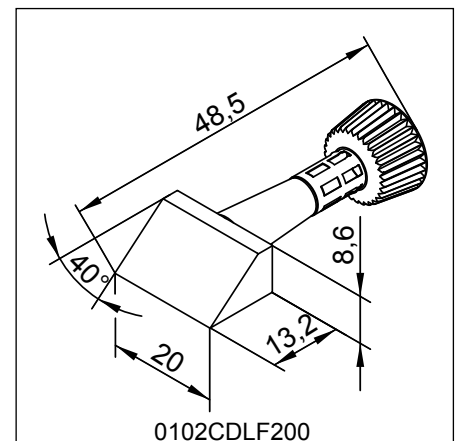
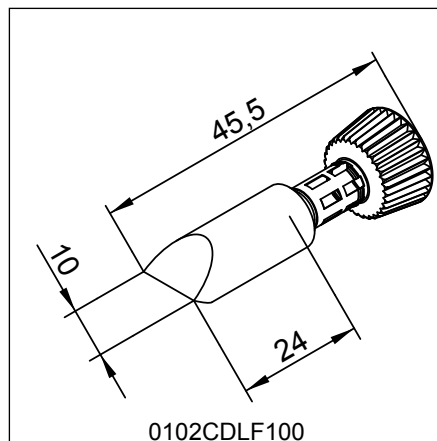
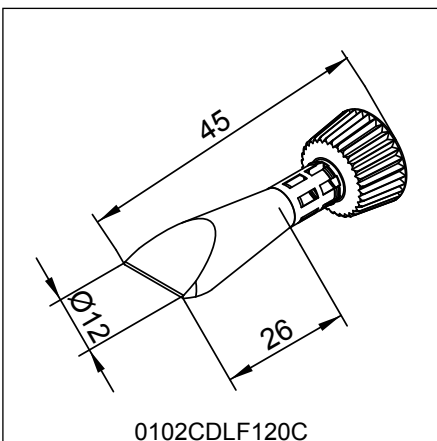
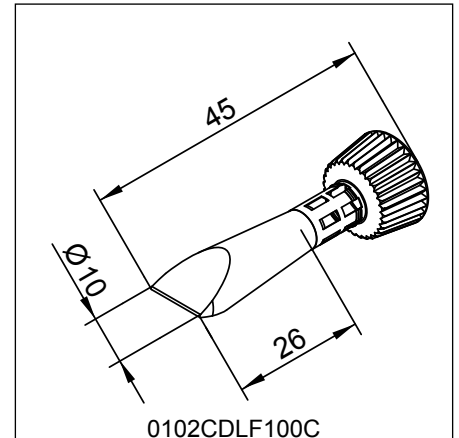
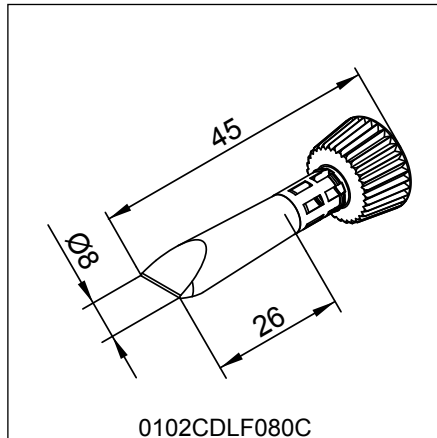
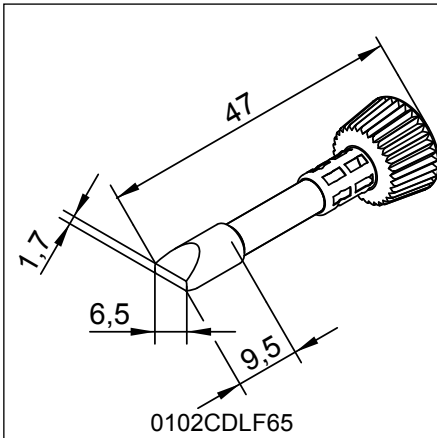
# i-Tips C

## Standard



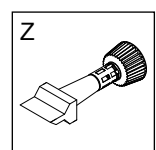
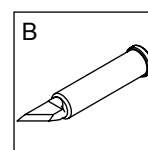
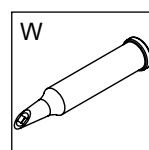
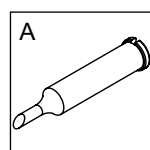
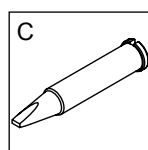
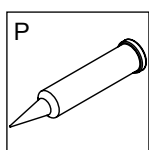
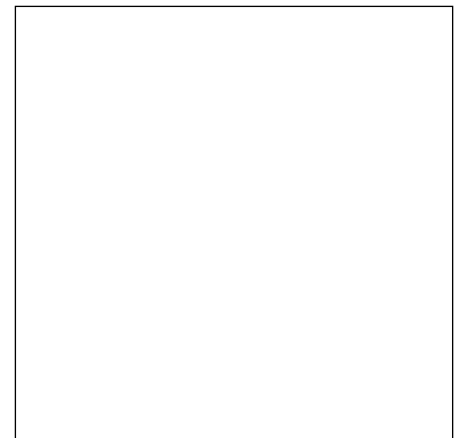
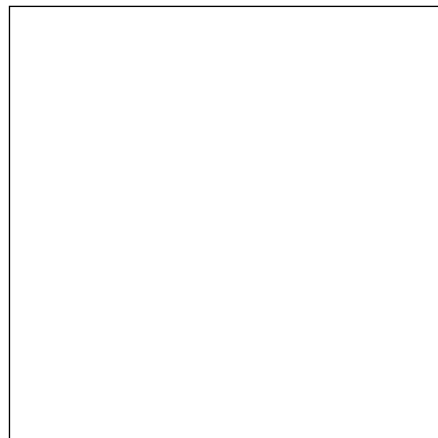
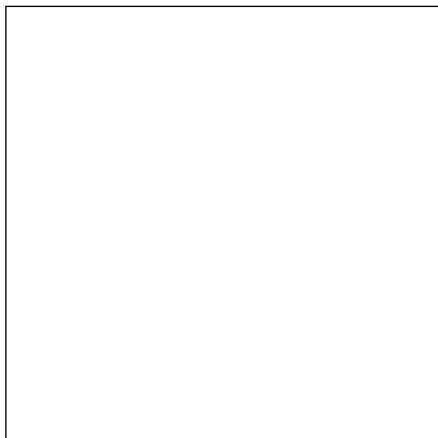
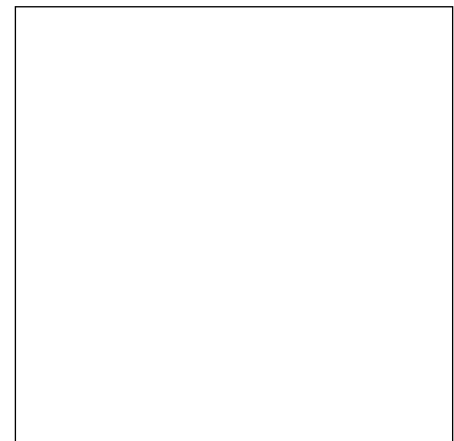
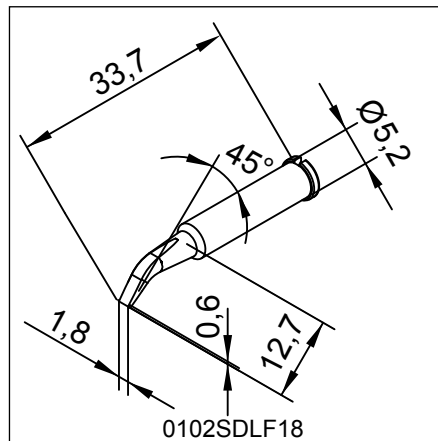
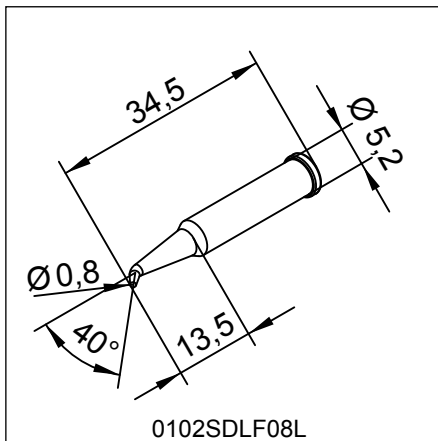
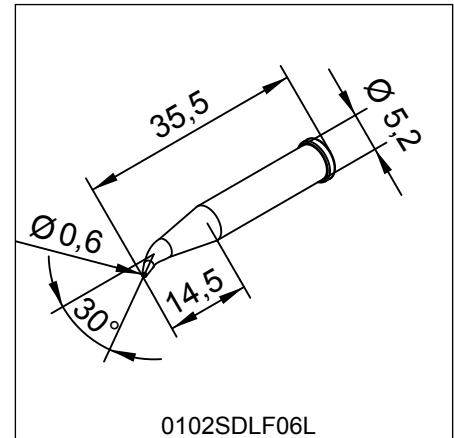
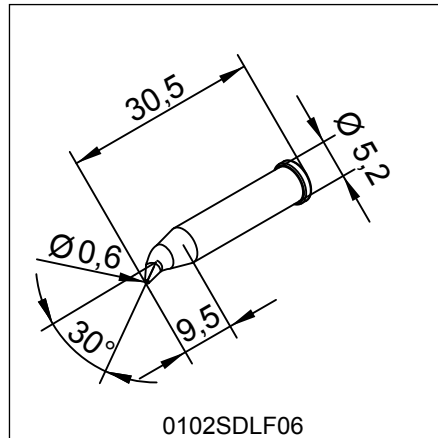
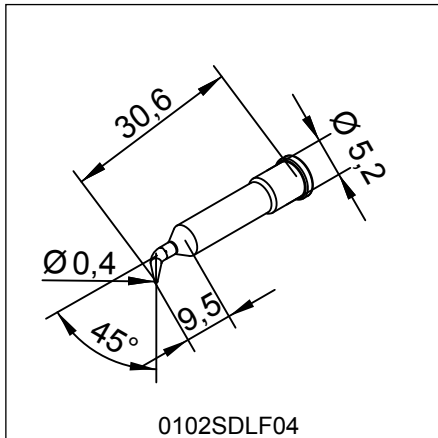
# i-Tips C

## Standard



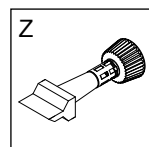
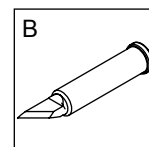
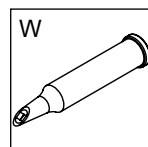
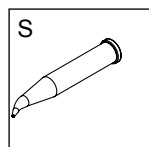
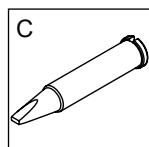
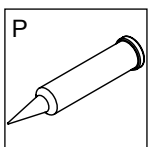
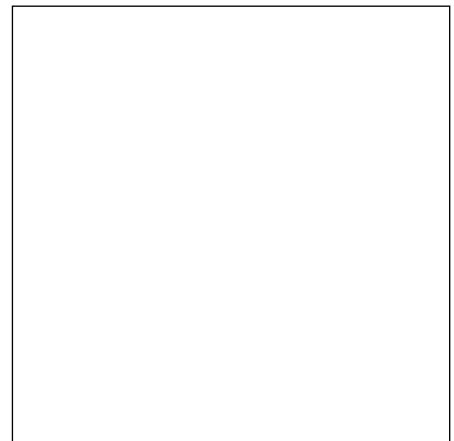
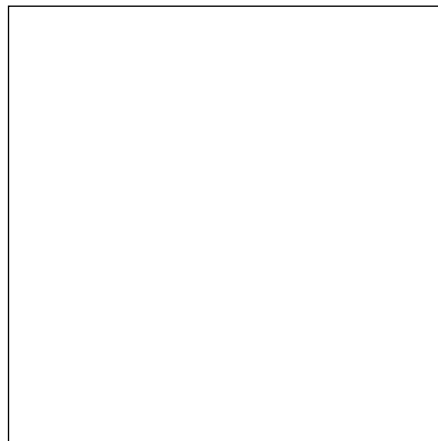
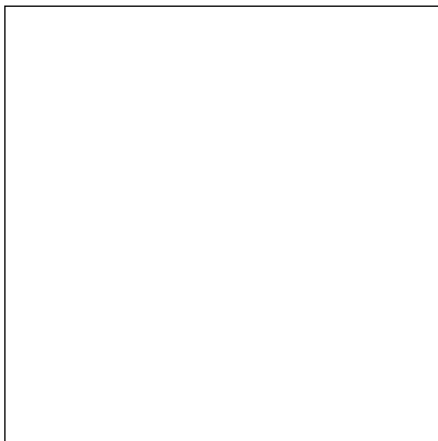
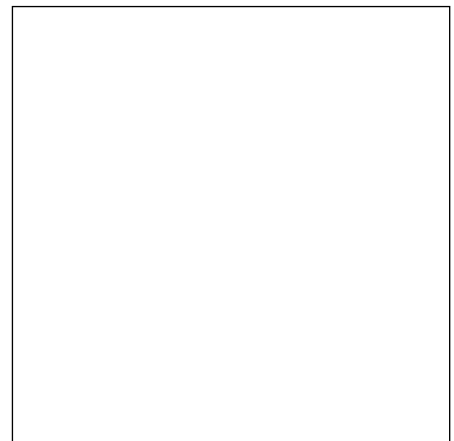
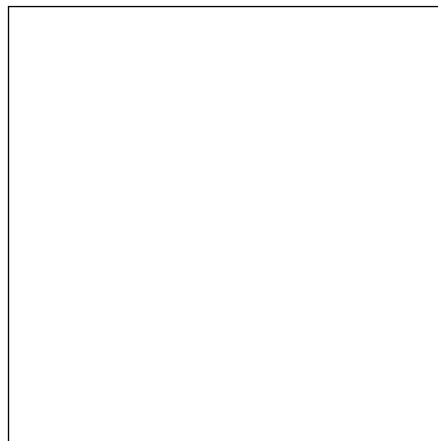
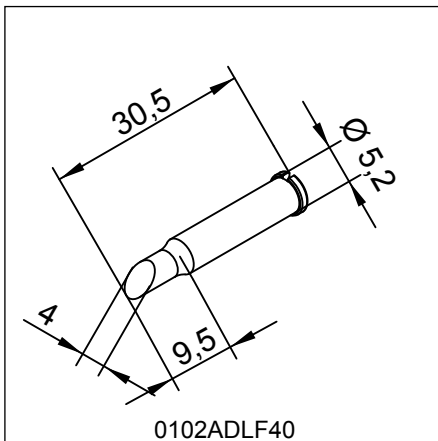
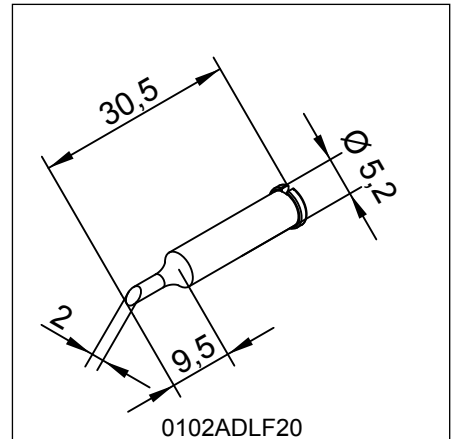
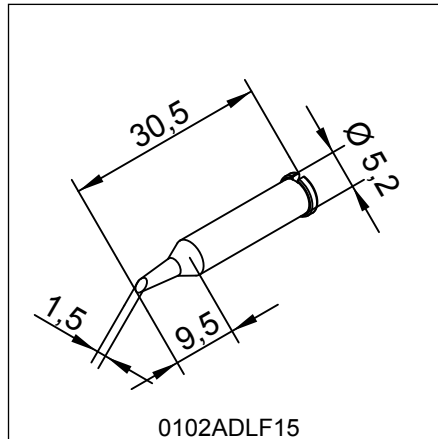
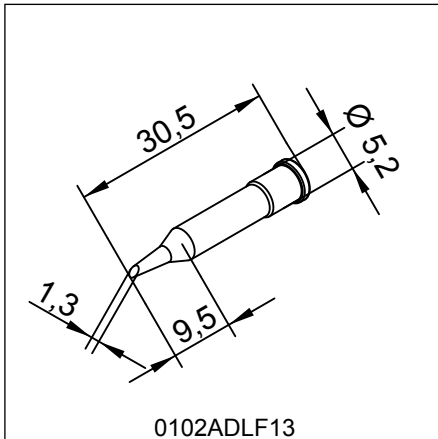
# i-Tips S

## Standard



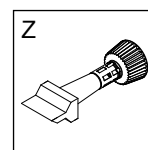
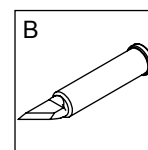
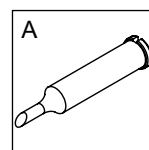
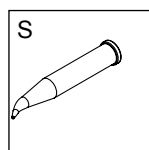
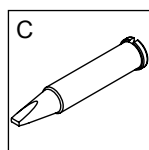
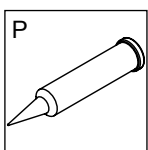
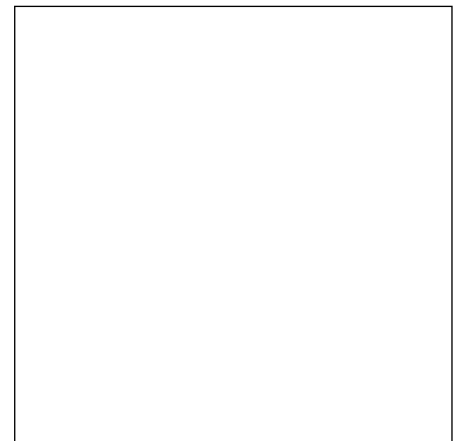
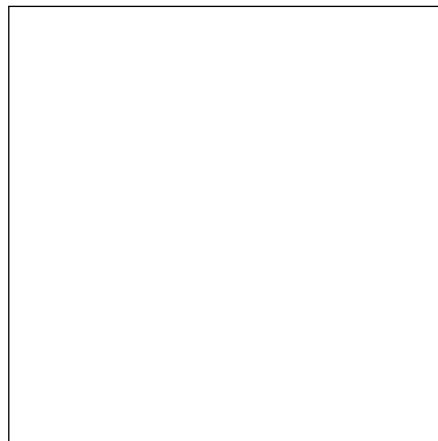
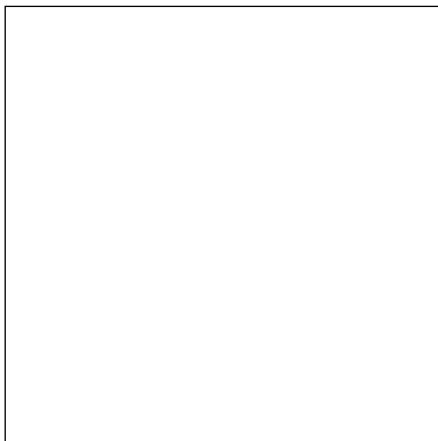
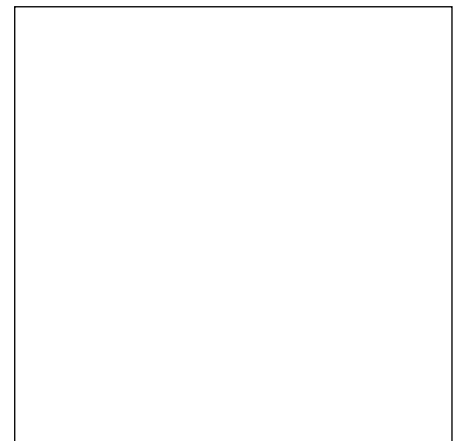
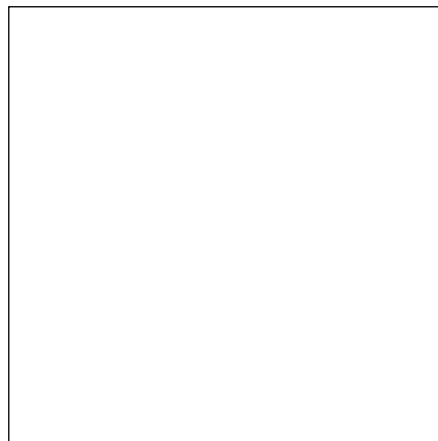
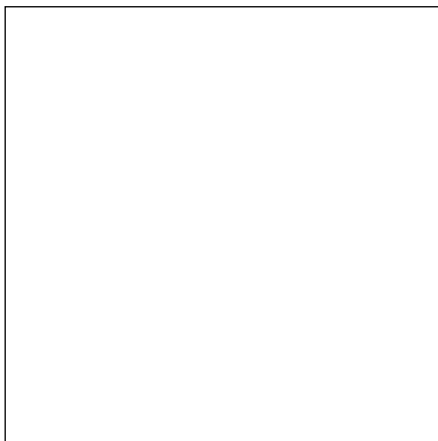
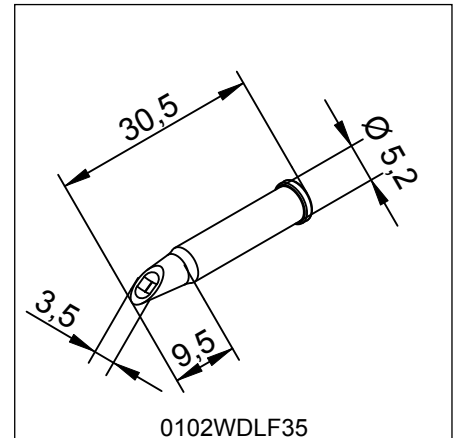
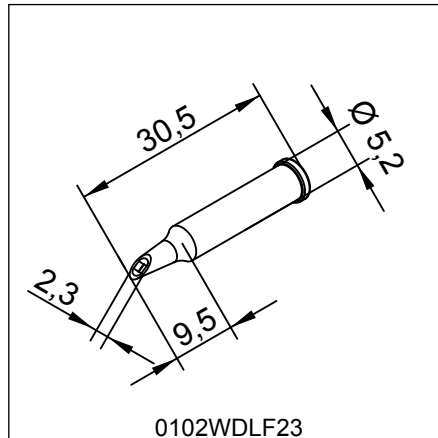
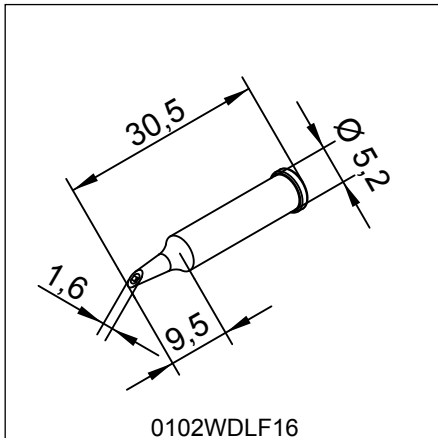
# i-Tips A

## Standard



# i-Tips W

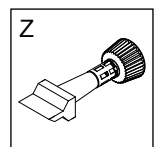
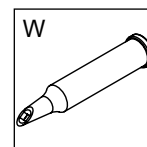
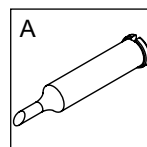
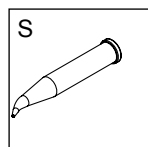
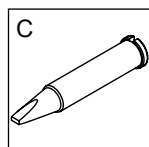
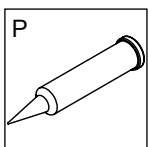
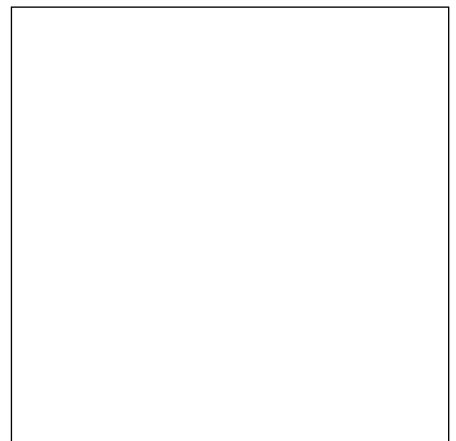
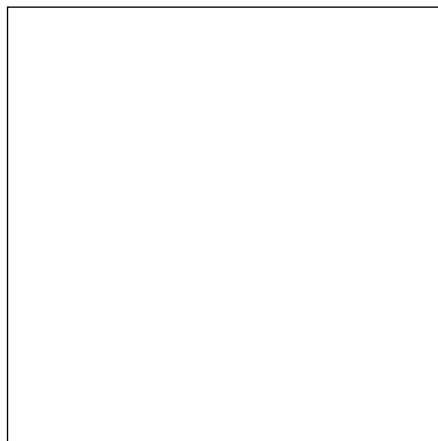
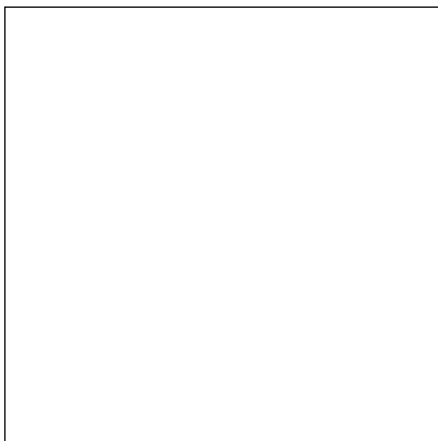
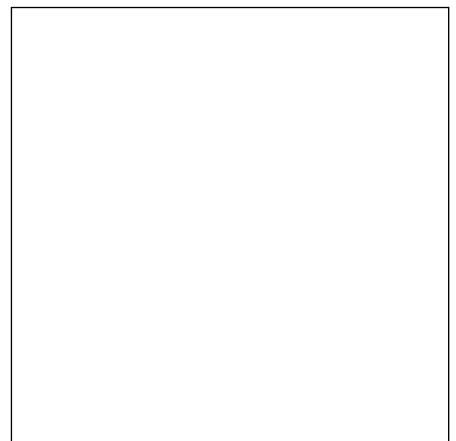
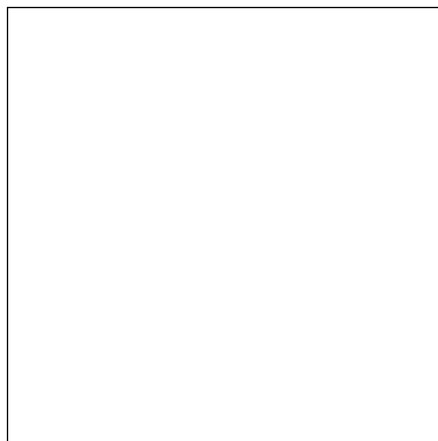
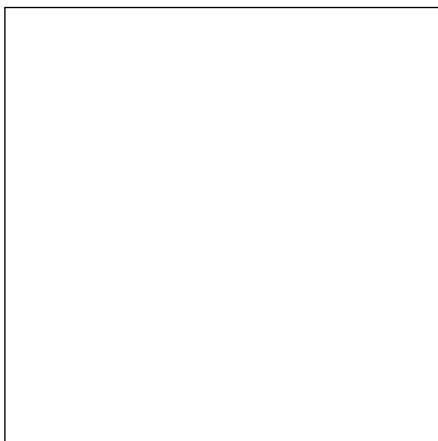
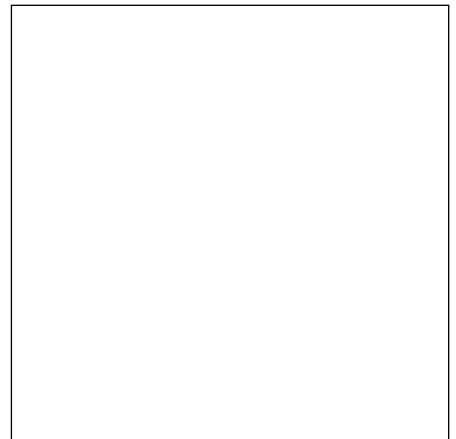
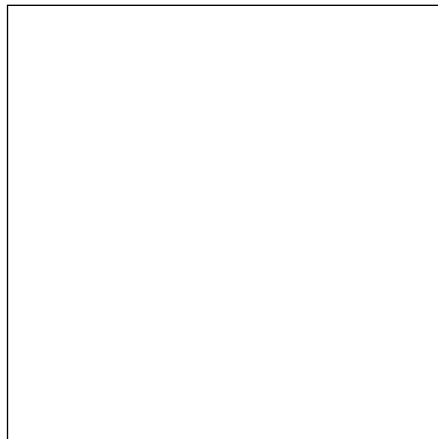
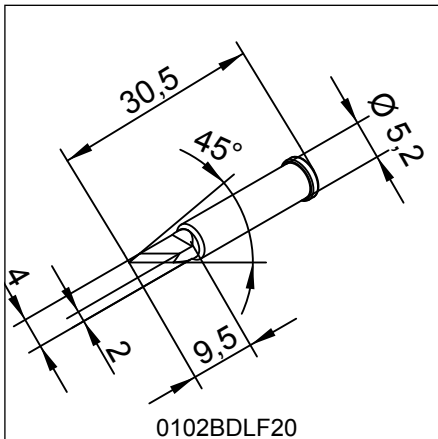
## Standard





# i-Tips B

## Standard



# i-Tips Z

## Standard

